

REFERENCE

503B, 503C, 503CM, AND 513B TELEPHONE SETS

1. GENERAL

1.01 This section provides identification and connection information for the 503B (MD), 503C (MD), 503CM, and 513B (MD) telephone sets.

1.02 This section is reissued to:

- Revise Fig. 4

2. IDENTIFICATION

2.01 These telephone sets are desk sets intended for use in conjunction with other equipment to provide DATA-PHONE® data communications service.

2.02 With the exclusion key operated (up position), the 503B telephone set can be used with the J1D402B data set to provide data service. With the exclusion key nonoperated (normal position) the set provides regular telephone service. Fig. 2 provides connection information on the 503B telephone set.

2.03 The 503C and 503CM telephone set is used in Data Access Arrangements (DAA) where customer-owned equipment is connected to the DDD network through a coupler. With the exclusion key nonoperated (normal position) the 503CM telephone set may be used with the J1D402B data set to provide data service with monitoring of computer-generated voice replies. With the exclusion key operated (up position), the set provides regular telephone service. To deactivate monitoring feature, see Fig. 4. The 503C telephone set may be used with the J1D402B data set with the exclusion key operated (up position). With the exclusion key nonoperated (normal position) the set provides regular telephone service.

Note: The relationship of features to exclusion key differs in the 503C and 503CM telephone sets.

2.04 Fig. 3 and 4 provide connection information on the 503C and 503CM telephone sets. The 503CM is a modular set which is shipped with a G15A handset but without H4DU handset cord and the D8AA mounting cord, **which must be ordered separately.**

2.05 The mounting cord of the 513B telephone set plugs directly into the J1D401F data set. Operation of the exclusion key (left plunger) transfers the set from the voice mode to the data mode. It is also equipped with a test key which converts the set to the test mode and test lamp which illuminates when the test mode is operating. Fig. 5 provides connection information on the 513B telephone set.

2.06 For application of these telephone sets, refer to Division 590.

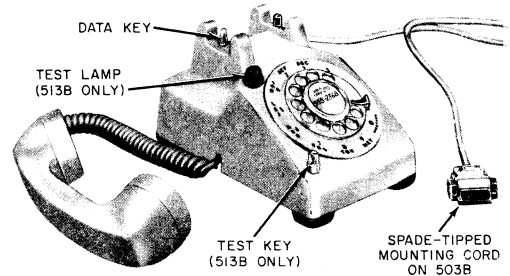


Fig. 1—503B (MD), 503C (MD), or 513B (MD) Telephone Set

NOTICE

Not for use or disclosure outside the
Bell System except under written agreement

TABLE A

REPLACEABLE COMPONENTS (NOTE)

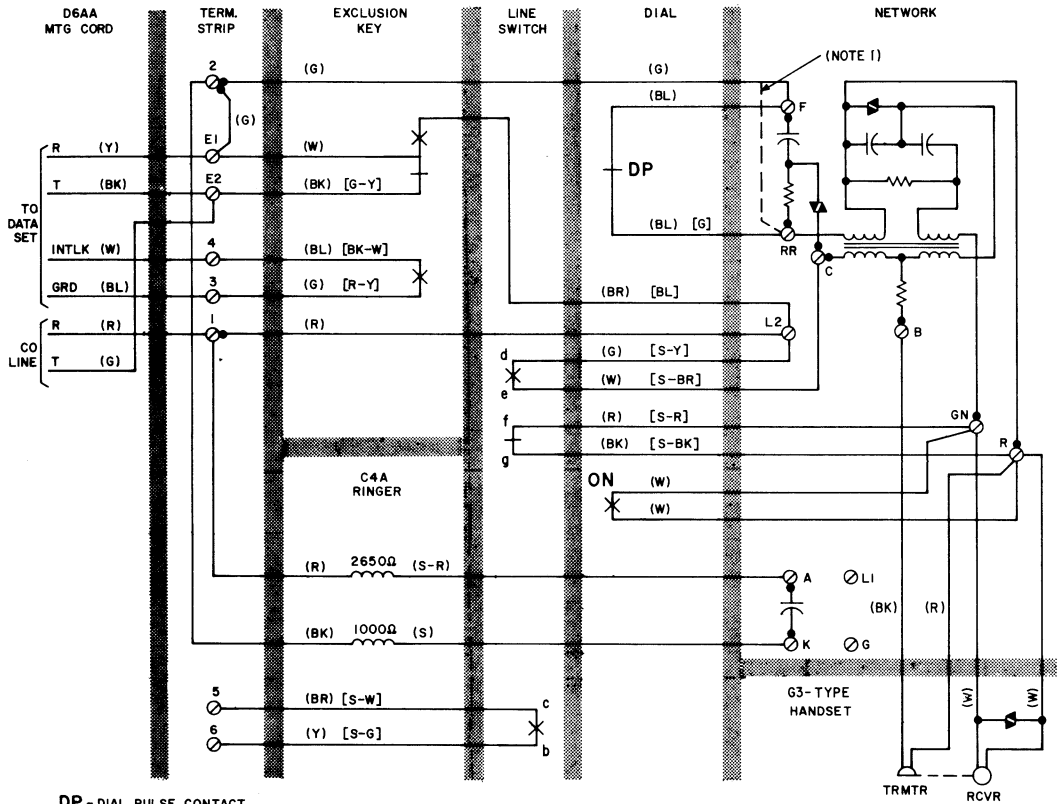
TEL SET	HANDSET	DIAL	RINGER	HOUSING ASSY	MTG CORD	HANDSET CORD	LAMP	MTG CORD SET JACK	HANDSET CORD SET JACK
503B-61 (MD)	G3A6-61	9C-61 or 9CA-61	C4A	818049611 (P-80D961)	D6AA-87	H4CJ or H4CL	52A		
503C-61 (MD)	G3A6-61	9C-61 or 9CA-61	H1B	818049611 (P-80D961)		H4CJ or H4CL			
503CM-61	G15A-61	9CA-61		841023823	D8AA-87	H4DU-61		641D	616D
513B-61 (MD)	G3A6-61	9C-61 or 9CA-61	C4A	818815615 (P-88A561)	D10H-87	H4CJ or H4CL			

Note: These sets are available in light gray (-61) only.

◆ TABLE B ◆

TO PROVIDE DATA SET CONTROL WITH EXCLUSION KEY OPERATED (503CM ONLY)

LEAD	COLOR	REMOVE FROM		CONNECT TO	
		TERM. BOARD	NET.	TERM. BOARD	NET.
Exclusion Key	R		L2	E2	
	S	E2			L2
	BR	1			GN
	O		GN	1	
641D Jack	O-W	8		7	

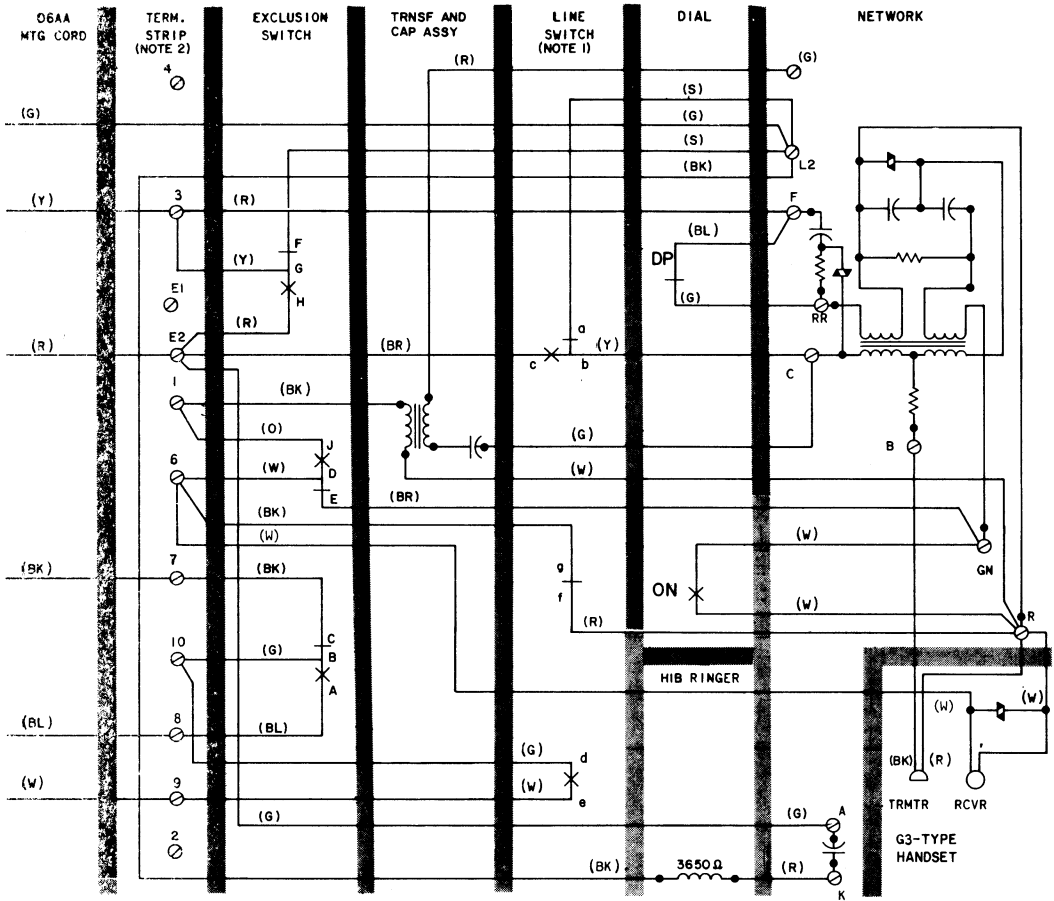


DP - DIAL PULSE CONTACT
 ON - DIAL OFF-NORMAL CONTACT
 () INDICATES CURRENT COLOR CODE.
 [] INDICATES MD COLOR CODE.

- NOTES:
1. GREEN LEAD IS CONNECTED TO F TERMINAL IN DIAL SETS AND TO RR TERMINAL IN MANUAL SETS.
 2. LINE SWITCH SEQUENCE, HANDSET REMOVED:
 (1)bc MAKES (2)de MAKES (3)gf BREAKS
 3. TO SILENCE RINGER FOR ALL CLASSES OF SERVICE REFER TO APPROPRIATE SECTION IN DIVISION 501.

Fig. 2—503B (MD) Telephone Set, Connections

SECTION 502-501-120

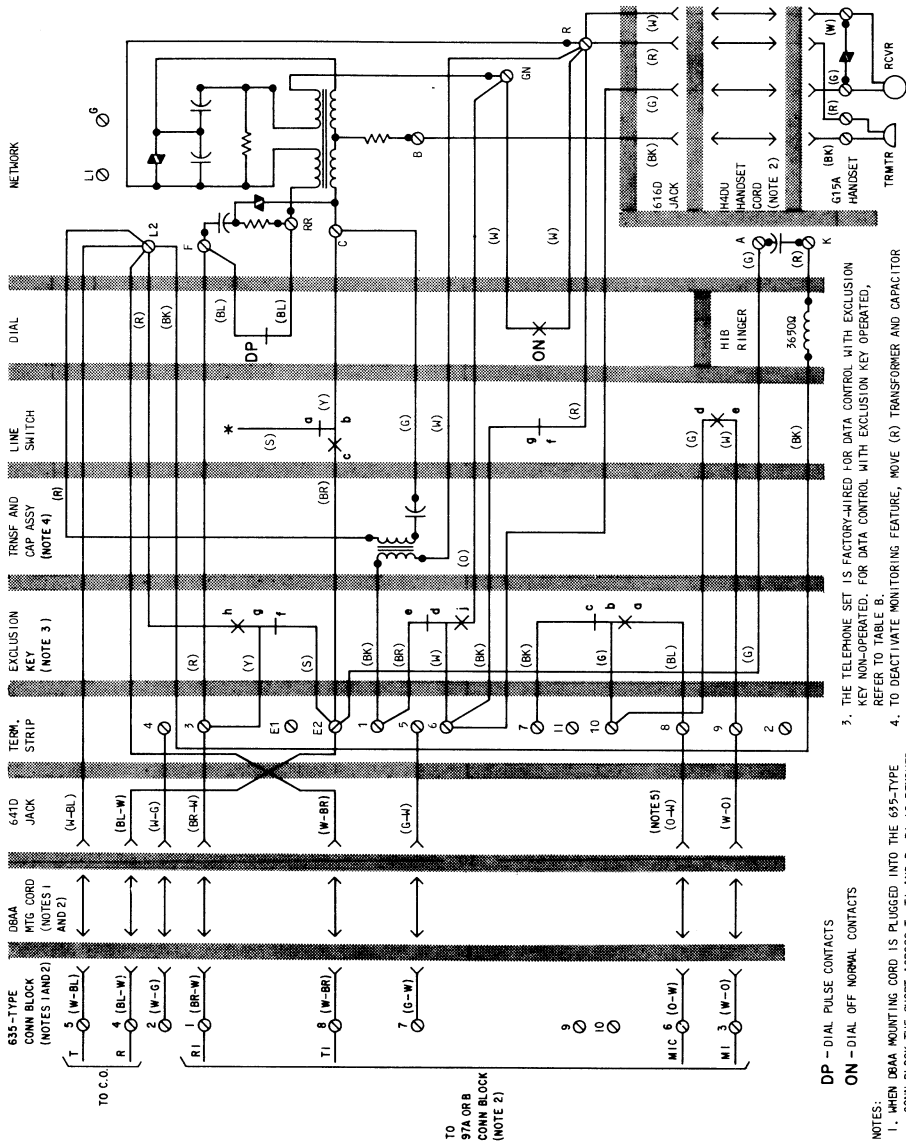


DP-DIAL PULSE CONTACTS
ON-DIAL OFF NORMAL CONTACTS

NOTES:

- 1. LINE SWITCH SEQUENCE, OFF-HOOK:
 - . bc MAKES
 - . de MAKES
 - . ab BREAKS
 - . fg BREAKS
- 2. FOR MONITORING WITH EXCLUSION SWITCH OPERATED, MOVE (R) LEAD FROM TERMINAL G TO TERMINAL L2.

Fig. 3—503C (MD) Telephone Set, Connections



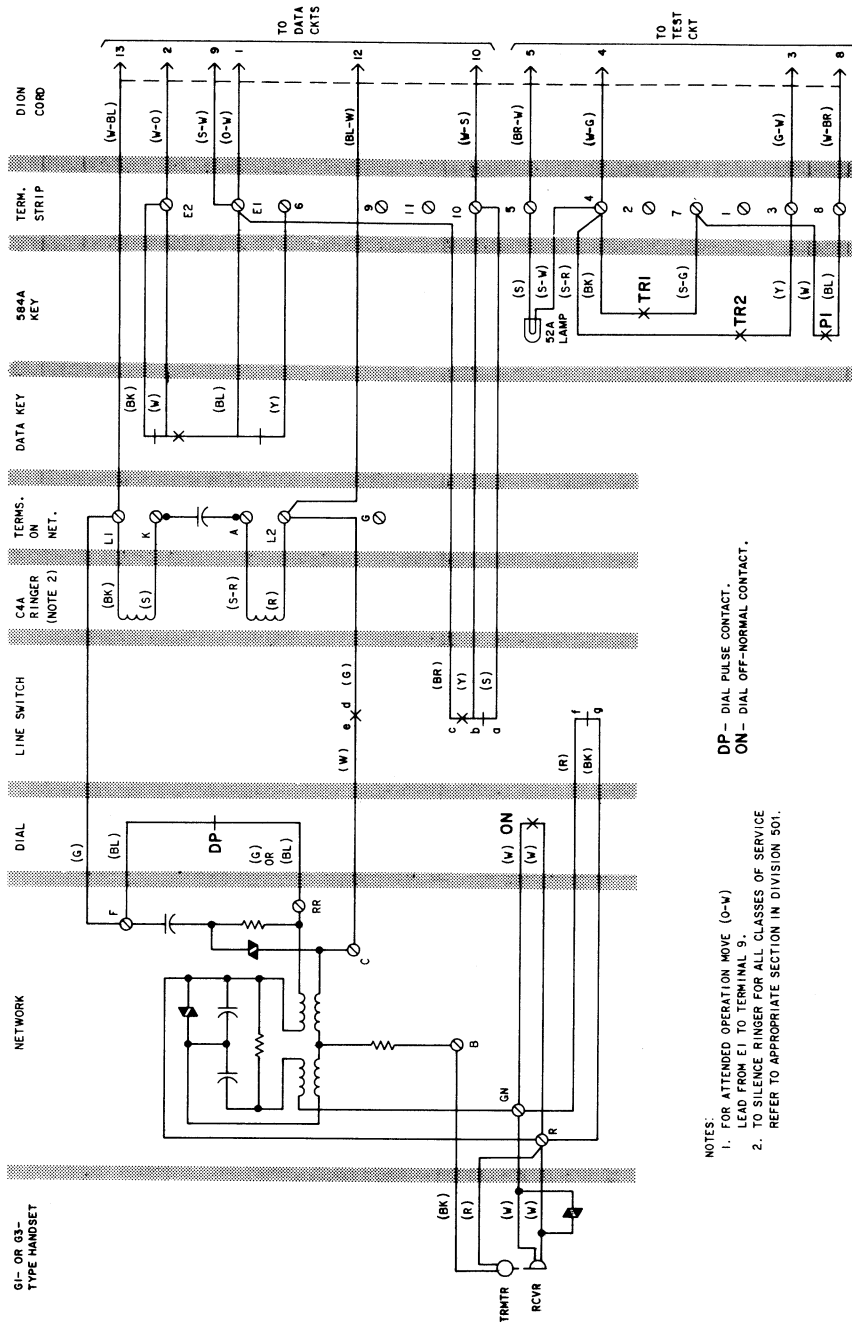
DP - DIAL PULSE CONTACTS
 ON - DIAL OFF NORMAL CONTACTS

NOTES:
 1. WHEN DB9A MOUNTING CORD IS PLUGGED INTO THE 695-TYPE CONN BLOCK THE SHORT ACROSS T, T1 AND R, R1 IS REMOVED.
 2. MUST BE ORDERED SEPARATELY.

3. THE TELEPHONE SET IS FACTORY-WIRED FOR DATA CONTROL WITH EXCLUSION KEY NON-OPERATED. FOR DATA CONTROL WITH EXCLUSION KEY OPERATED, REFER TO TABLE B.
 4. TO DEACTIVATE MONITORING FEATURE, MOVE (R) TRANSFORMER AND CAPACITOR ASSEMBLY LEAD FROM NETWORK TERMINAL L2 TO NETWORK TERMINAL G.
 5. TO HAVE LINE SWITCH INDICATION ONLY, MOVE (O-W) 641D JACK LEAD FROM TERMINAL 6 (OR 7) ON TERMINAL STRIP TO TERMINAL 1 ON TERMINAL STRIP.

* INSULATED AND STORED.

Fig. 4 - 503CM Telephone Set, Connections



DP - DIAL PULSE CONTACT.
 ON - DIAL OFF-NORMAL CONTACT.

- NOTES:
1. FOR ATTENDED OPERATION MOVE (O-V) LEAD FROM E1 TO TERMINAL 9.
 2. TO SILENCE RINGER FOR ALL CLASSES OF SERVICE REFER TO APPROPRIATE SECTION IN DIVISION 501.

Fig. 5-513B (MD) Telephone Set, Connections